

How to take off the pump of et-150.

The table is in the half height.



1

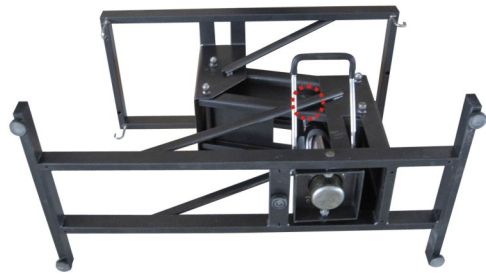


2

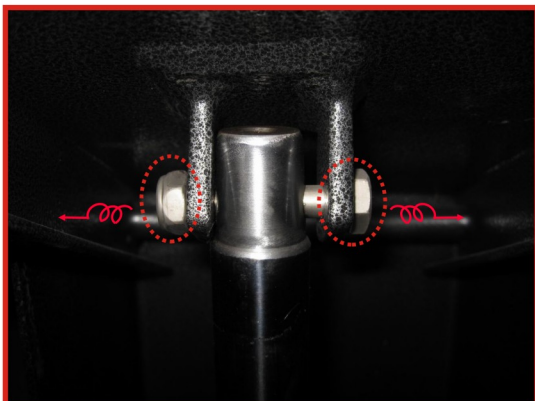


3

The table lie down on the floor.



4



5



6

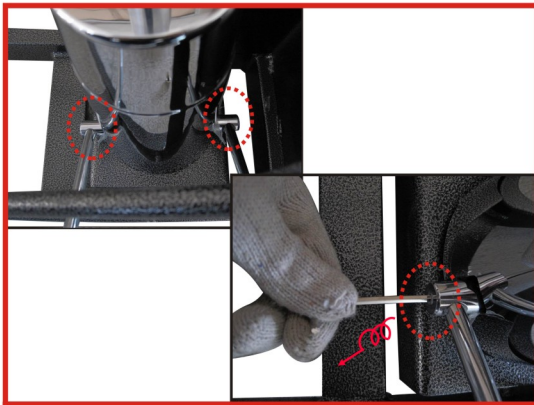
The table lie down on the floor, and then extend to the heightest.



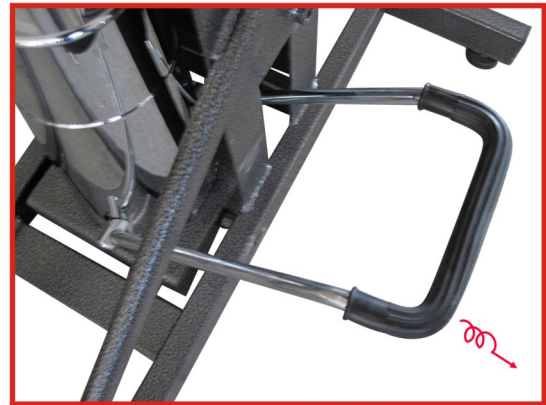
7



8



9



10

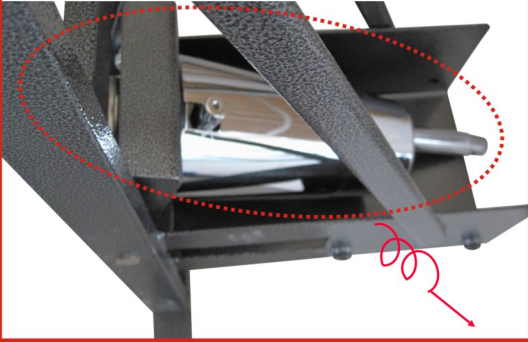


11



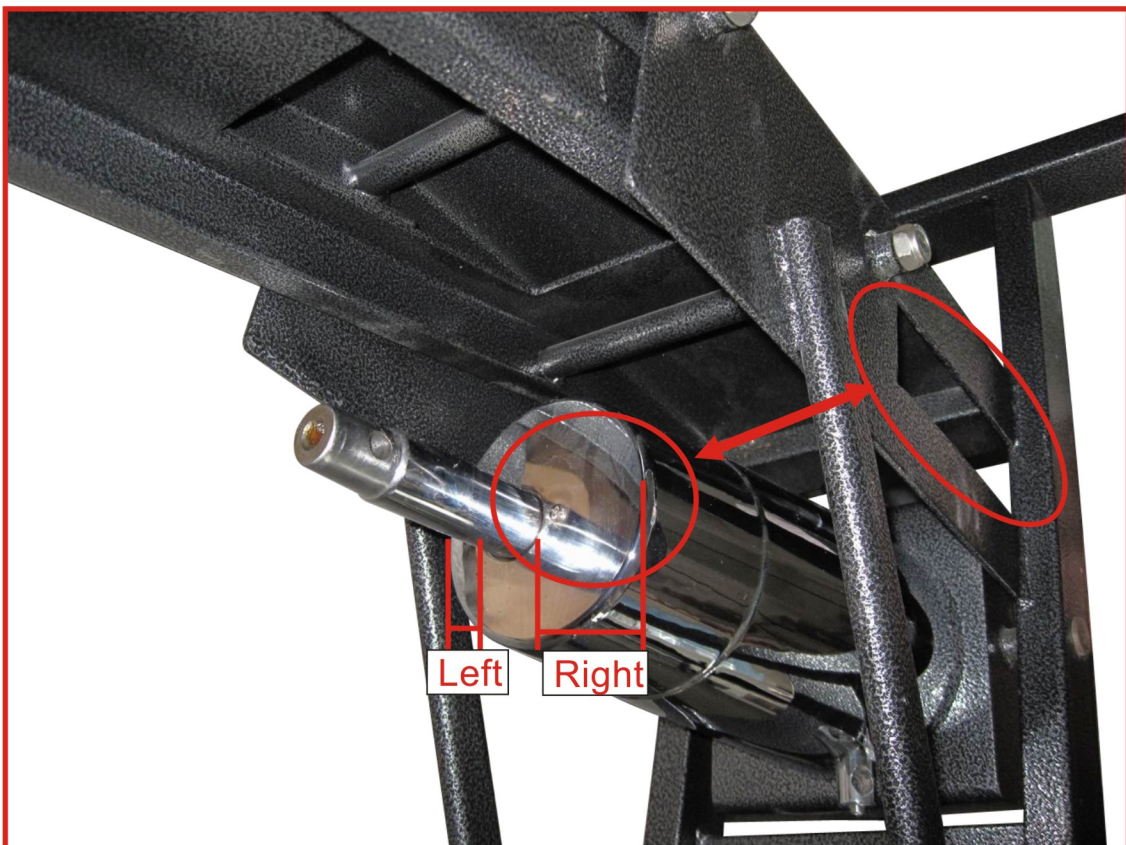
12

Please take out the BAD hydraulic.

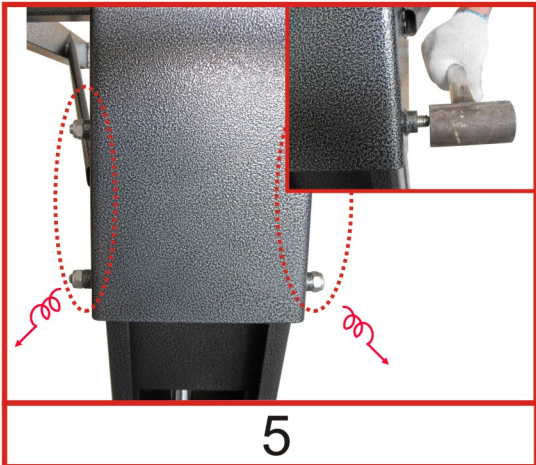
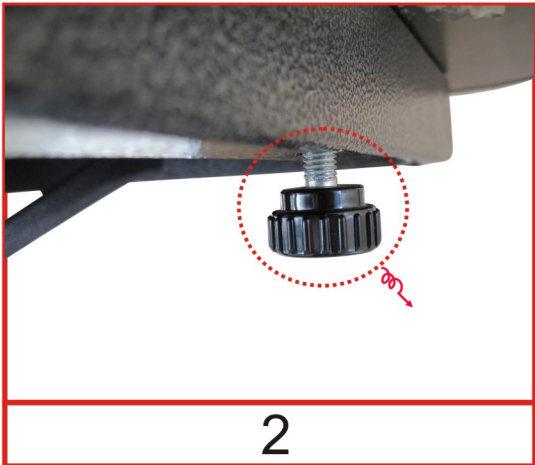


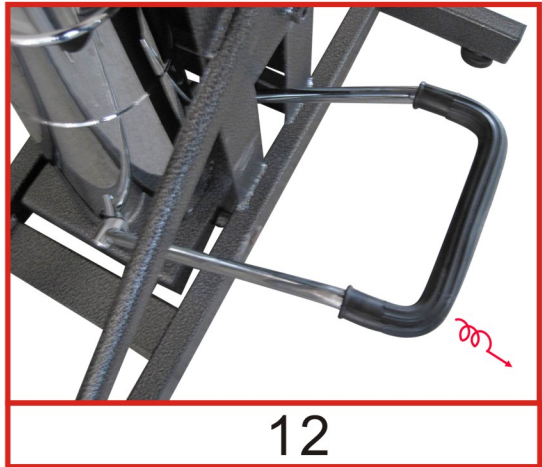
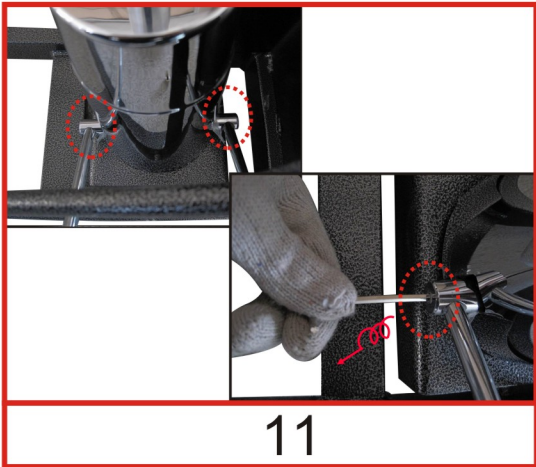
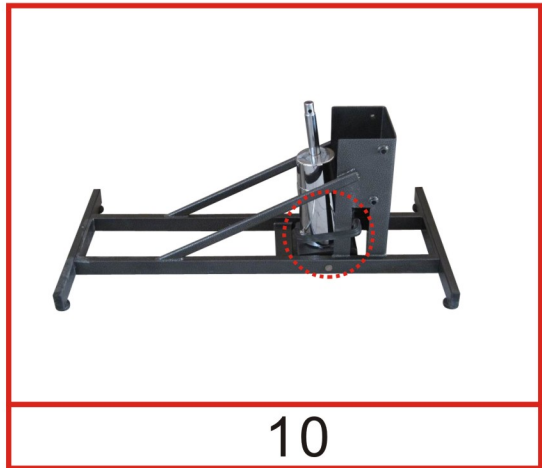
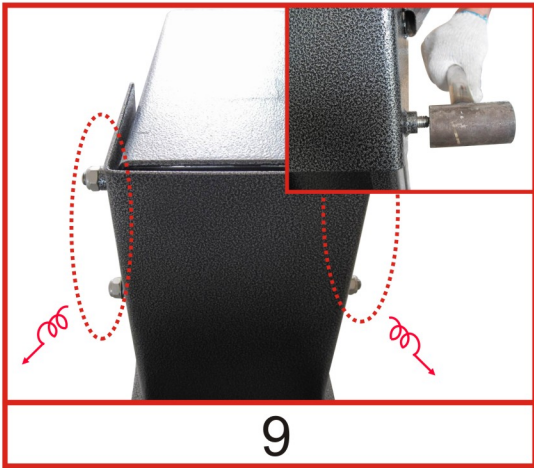
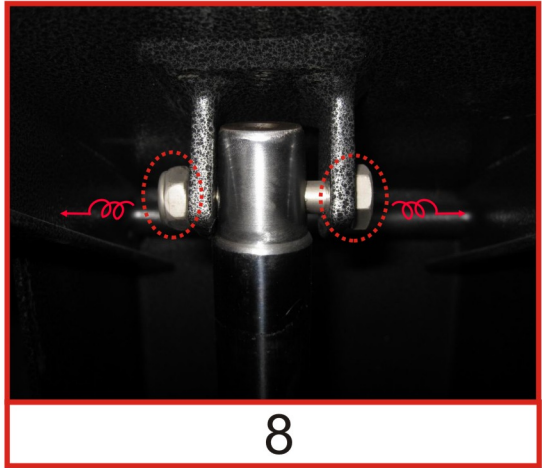
13

Please pay attention to the left and right of NEW hydraulic when you install it on the table.



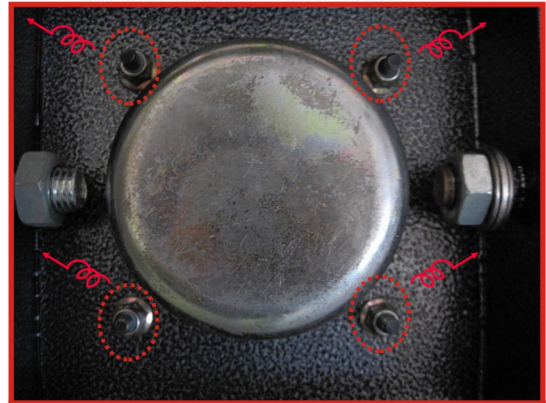
How to take off the pump of et-150.





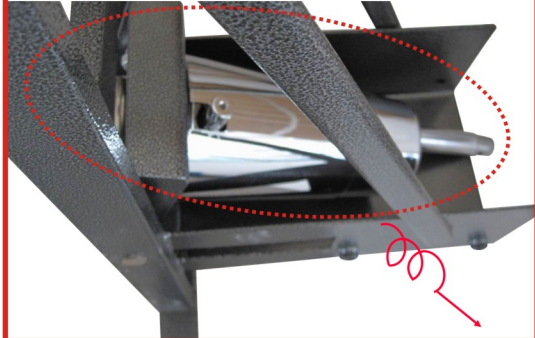


13



14

Please take out the BAD hydraulic.



15

Please pay attention to the left and right of NEW hydraulic when you install it on the table.

