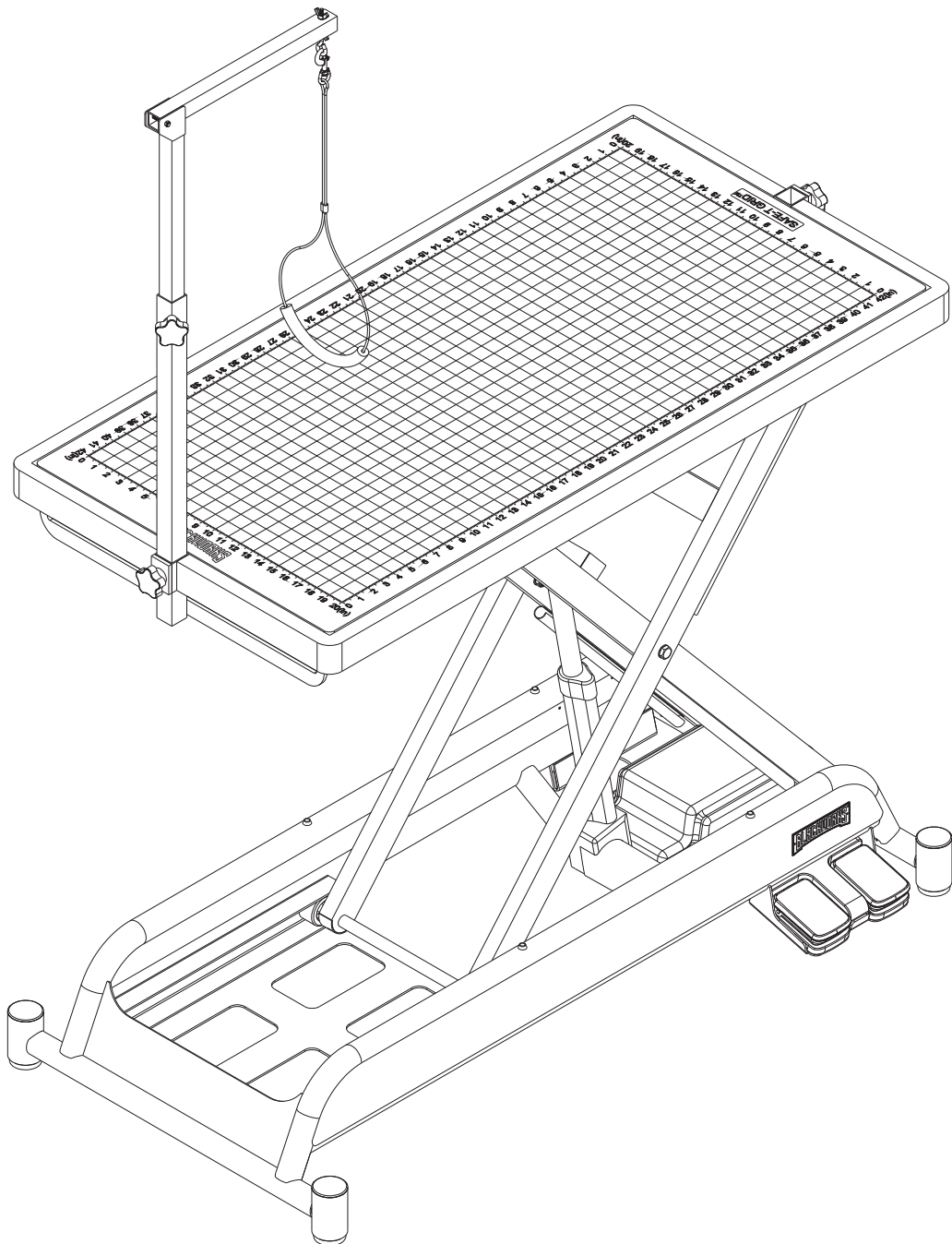




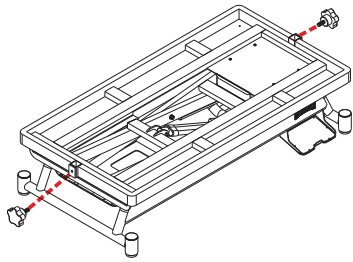
# INSTRUCTION MANUAL

## BW93302 BlackWorks Stealth Table

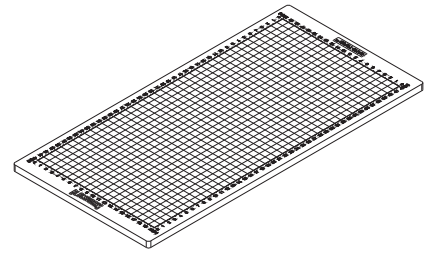


# PACKING LIST

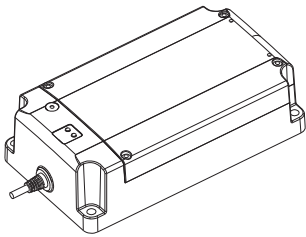
---



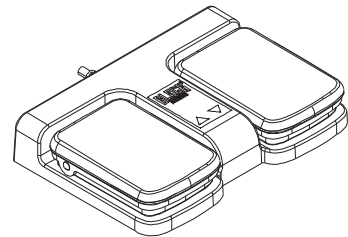
**1 SET OF BW STEALTH  
GROOMING TABLE BASE  
2 PCE OF KNOBS**



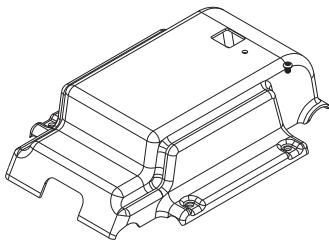
**1PCE OF BW SAFE-T GRID  
TABLE TOP (REVERSIBLE)**



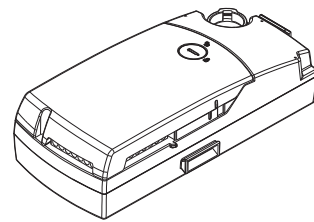
**1 PCE OF BATTERY**



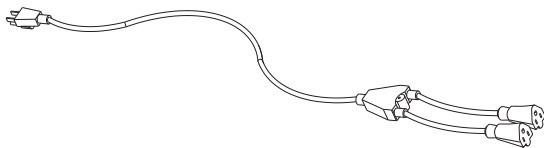
**2 PCE OF FOOT REMOTES**



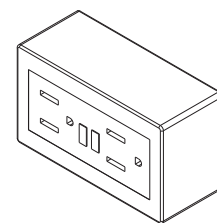
**1 PCE OF BATTERY COVER**



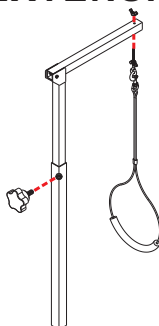
**1 PCE OF TRANSFORMER**



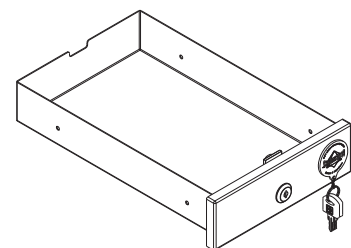
**1 PCE OF EXTENSION CORD**



**1 PCE OF PLUG**

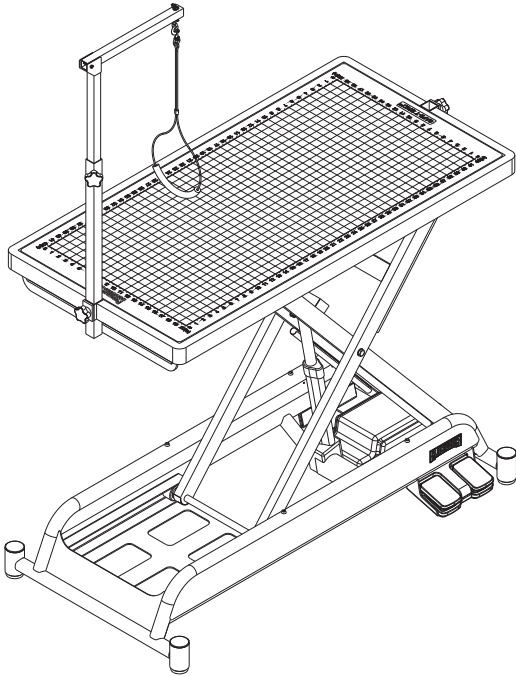


**1 SET OF GROOMING ARM  
1 PCE OF KNOB  
1 SET OF GROOMING LOOP**



**1 SET OF STORAGE BIN+KEYS**

# PRODUCT DESCRIPTION



## PRODUCT SPECIFICATIONS

Product Size: 49.5"x25.5"x11.10"

Minimum height: 11.10"

Maximum height: 40.87"

N/W: 211.64 lbs

G/W: 255.74 lbs

Maximum load: 440.92 lbs (in normal use)

Warranty Period: (year)

Foot remote and transformer: 2 years

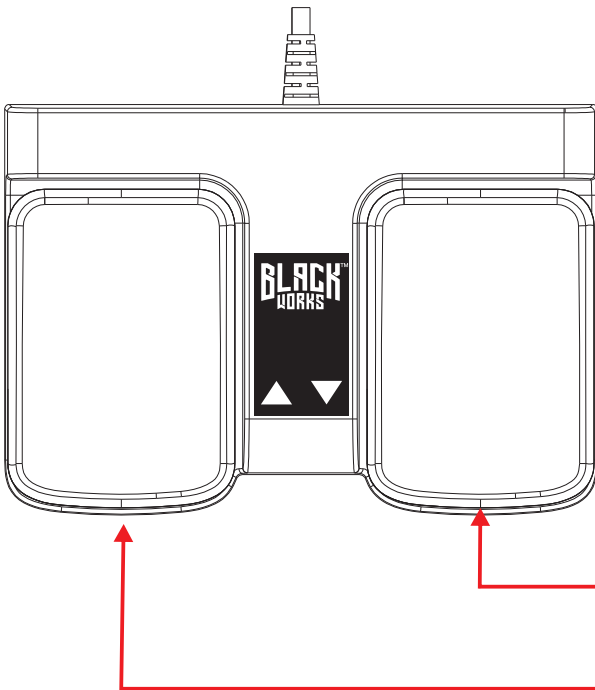
Battery: 1 year

Pump: 2 years

Frame: 2 years

## KEY INSTRUCTIONS AND OPERATION METHODS

### Foot Pedal:



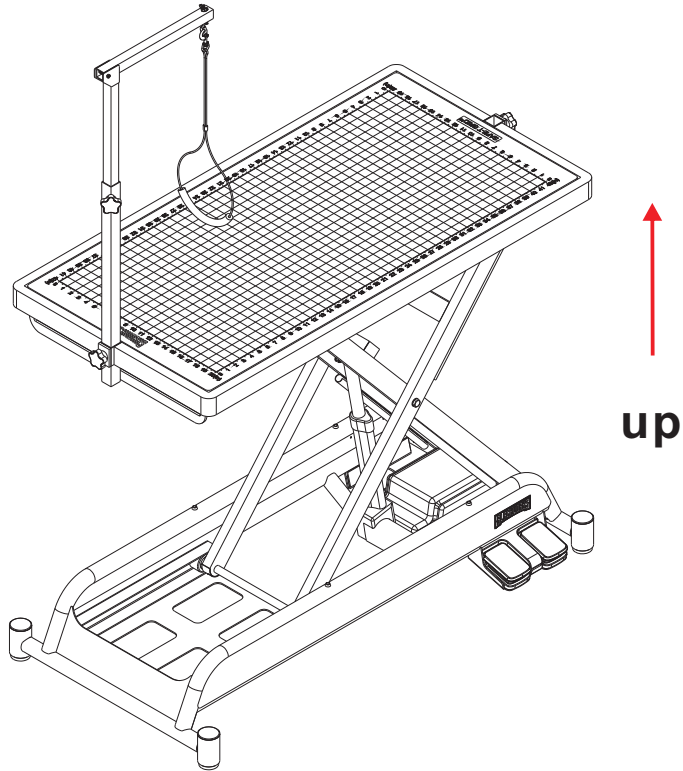
The button ▾ can make the bed move down.  
Release the button to stop moving.

The button ▴ can make the bed rise.  
Release the button to stop moving.

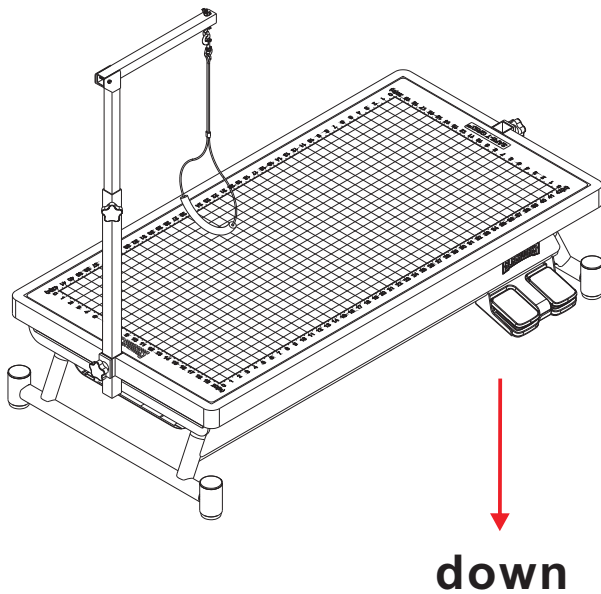
# ELECTRIC BED FUNCTION

---

1. Press  to adjust the rise of the bed, as shown in the figure:



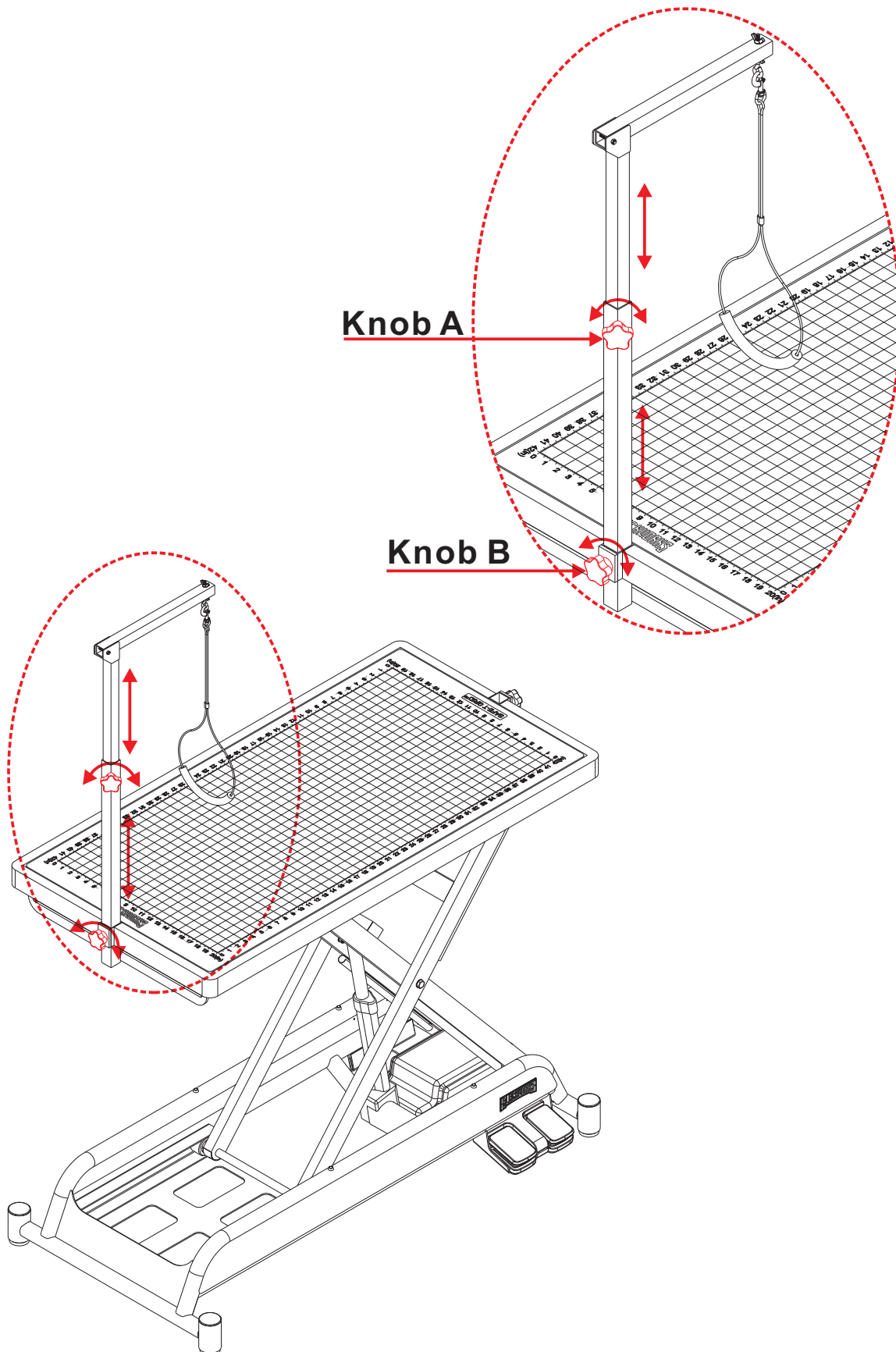
2. Press  to adjust the fall of the bed, as shown in the figure:



# ELECTRIC BED FUNCTION

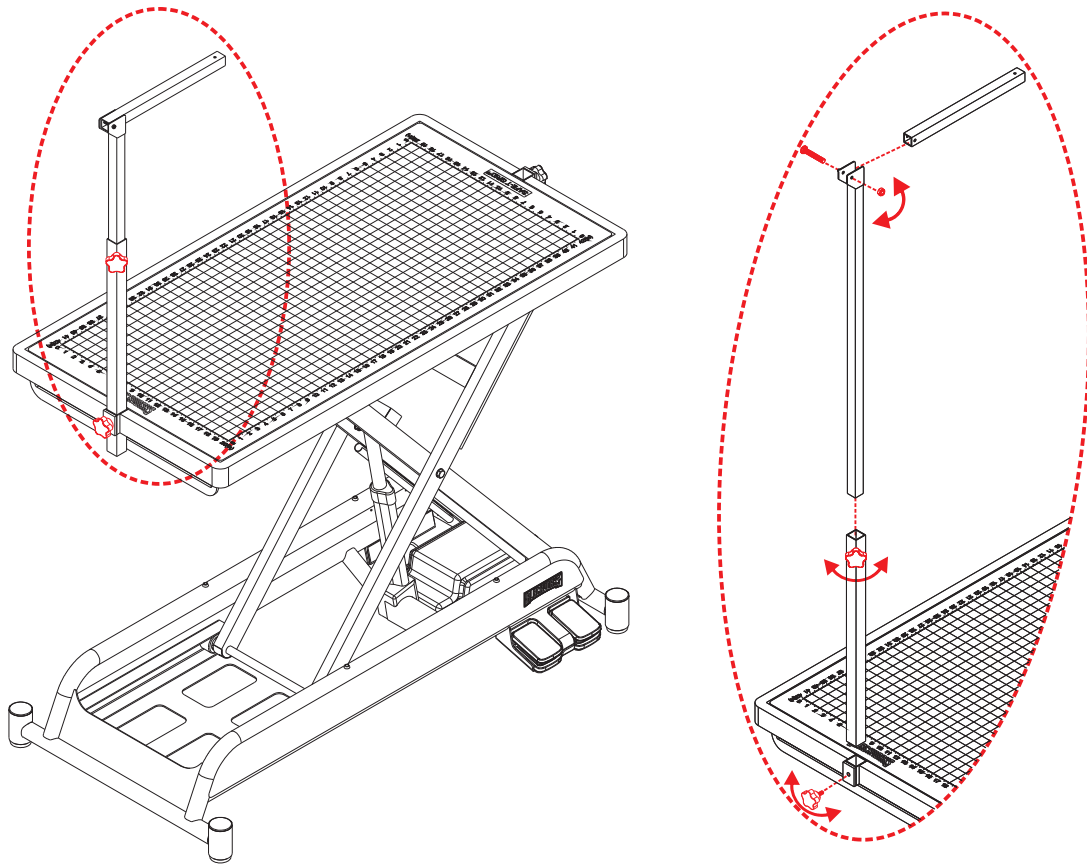
## 3. Adjustment of grooming arm:

As shown in the figure, adjust knob A/B to adjust the grooming arm to a proper height.

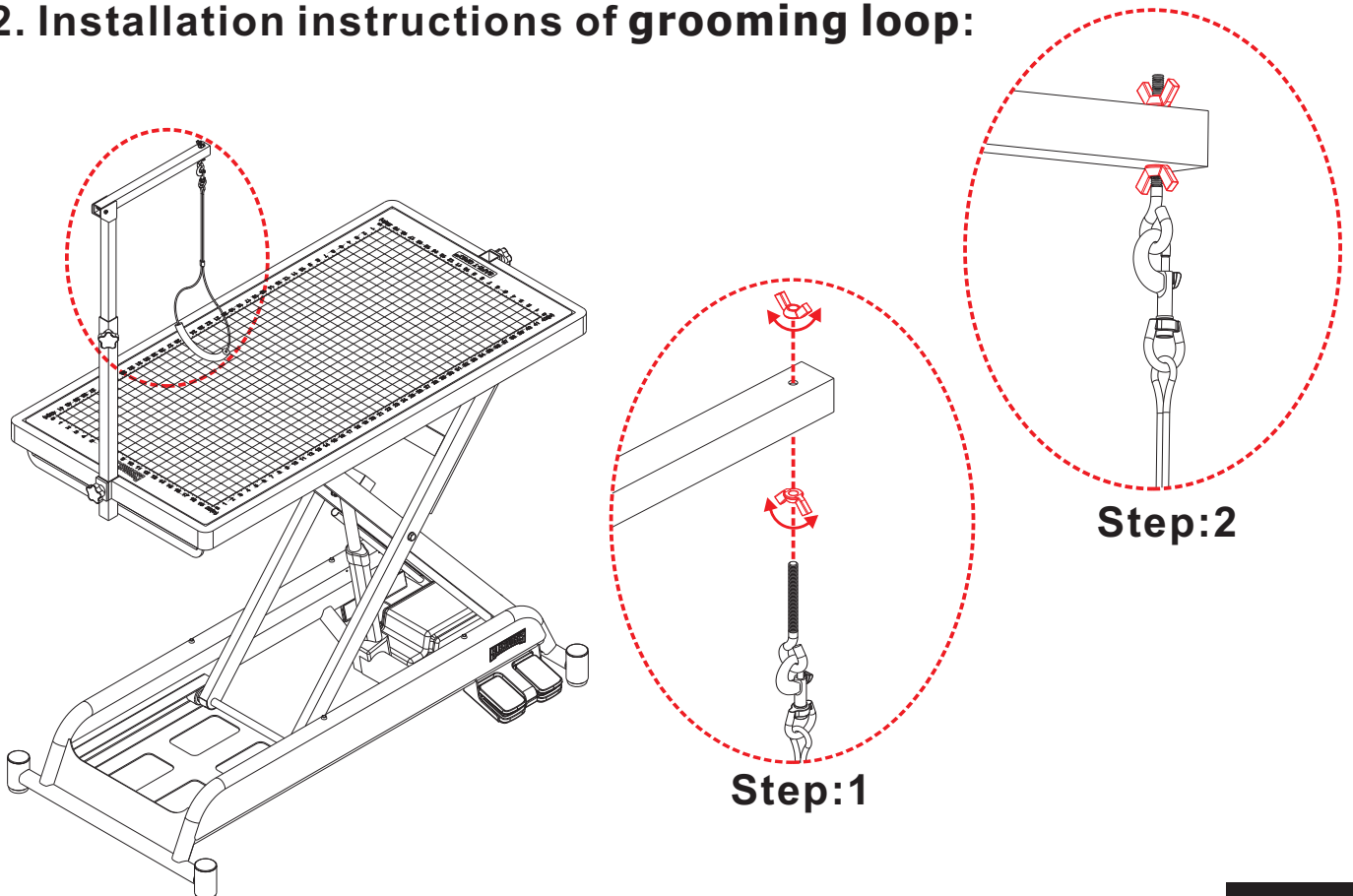


# INSTALLATION INSTRUCTIONS FOR ACCESSORIES

## 1. Installation instructions of grooming arm:

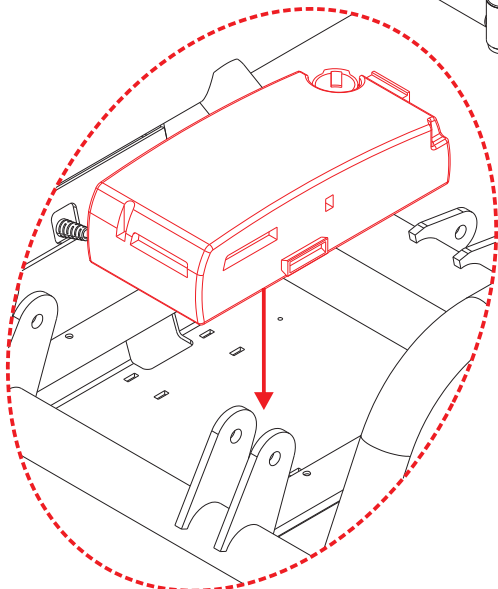
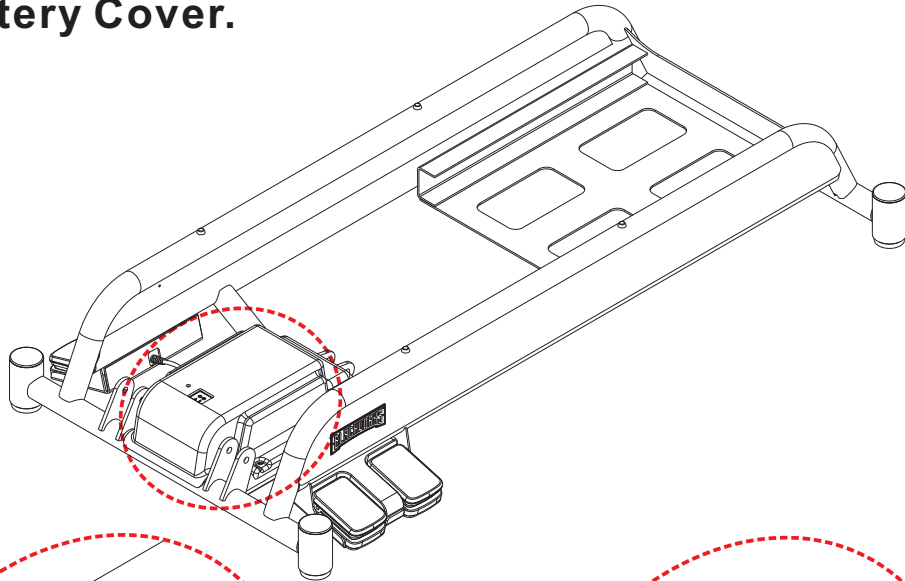


## 2. Installation instructions of grooming loop:

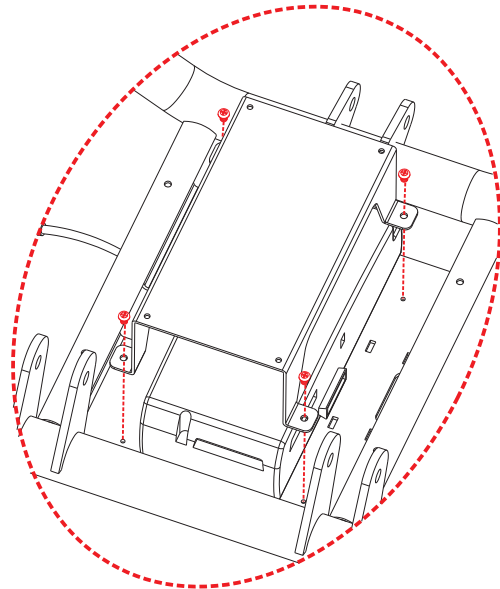


# INSTALLATION INSTRUCTIONS FOR ACCESSORIES

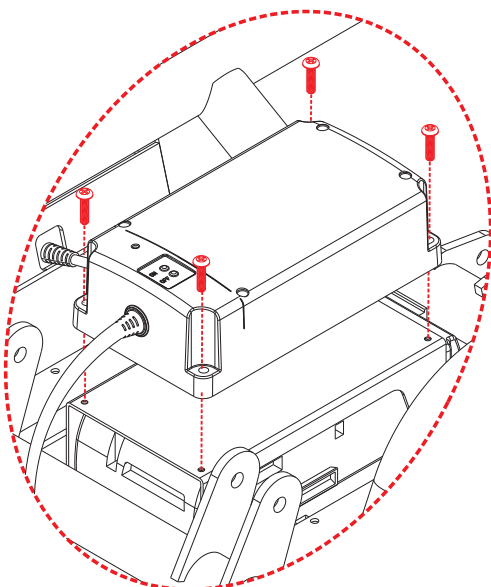
## 3. Installation Instructions for Transformer, Battery, and Battery Cover.



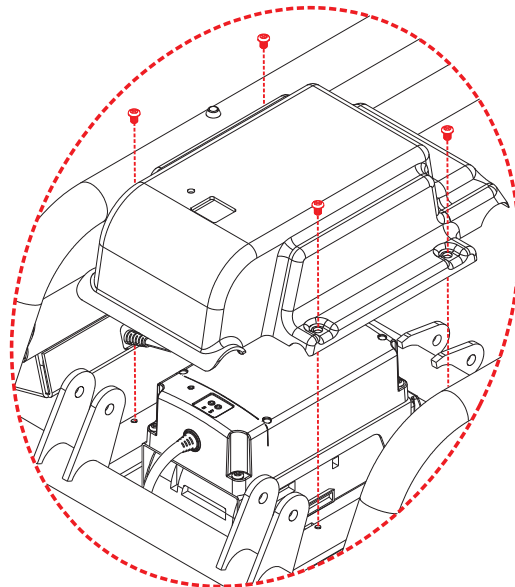
**Step:1**



**Step:2**



**Step:3**



**Step:4**

## INSTRUCTIONS FOR BATTERY USE

As shown in the figure, press ON to turn on the power supply, and press OFF to turn off the power supply, and the bed will stop working.

**Note: For best performance, it is recommended to fully charge the battery prior to use.**

