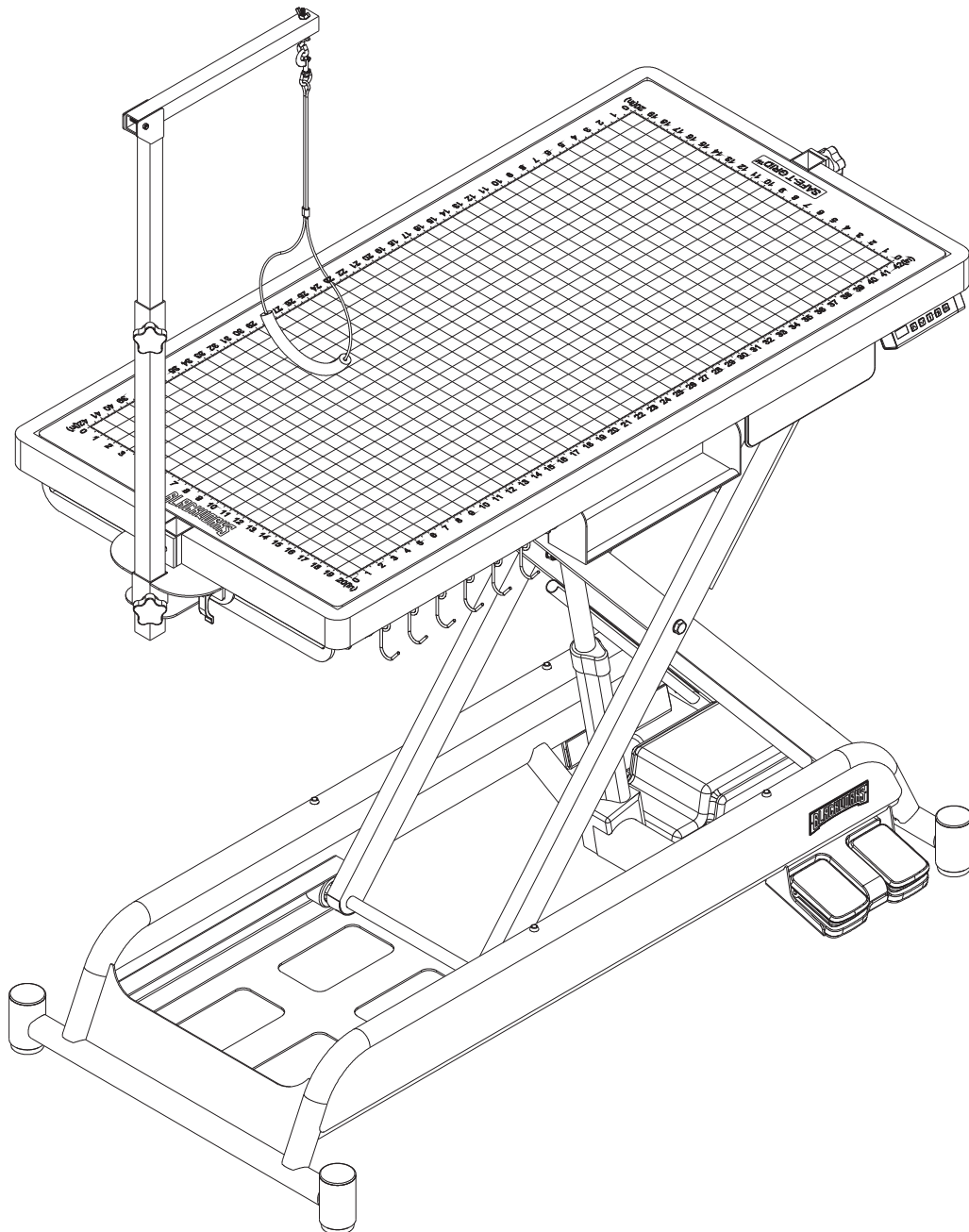




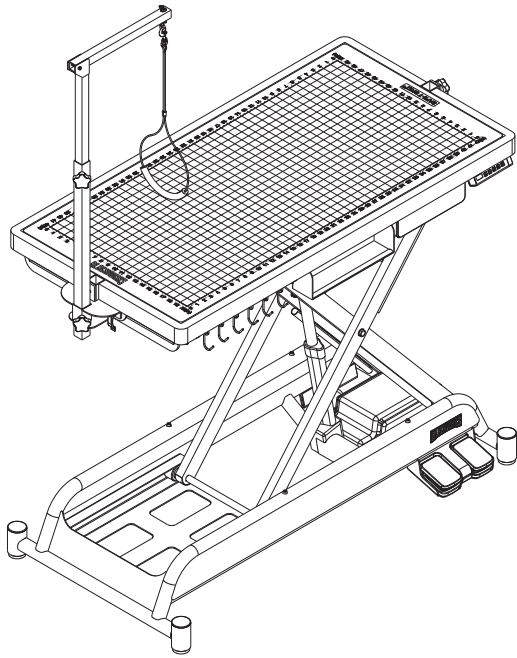
INSTRUCTION MANUAL

BW93303

BlackWorks Stealth Table-Elite Edition



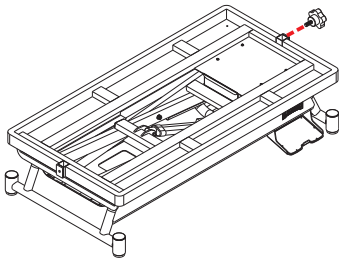
PRODUCT DESCRIPTION



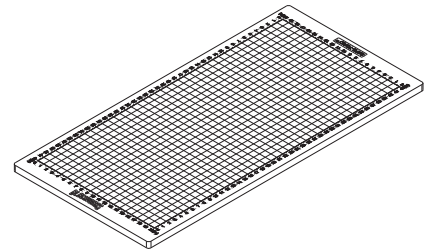
PRODUCT SPECIFICATIONS

Product Size: 49.5"x25.5"x11.10"
Minimum height: 11.10"
Maximum height: 40.87"
N/W: 219.36 lbs
G/W: 263.45 lbs
Maximum load: 440.92 lbs (in normal use)
Warranty Period: (year)
Foot remote and transformer: 2 years
Battery: 1 year
Pump: 2 years
Frame: 2 years

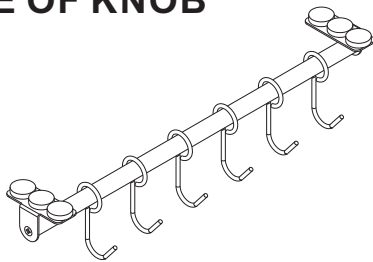
PACKING LIST



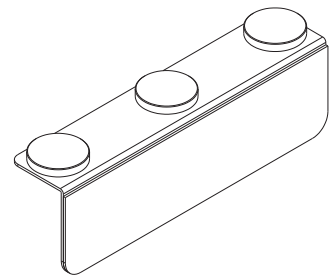
1 SET OF BW STEALTH GROOMING TABLE BASE
1 PCE OF KNOB



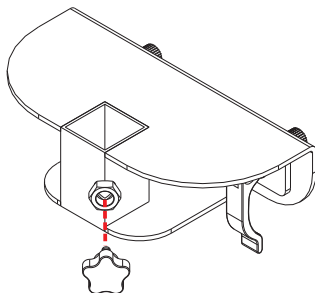
1PCE OF BW SAFE-T GRID TABLE TOP (REVERSIBLE)



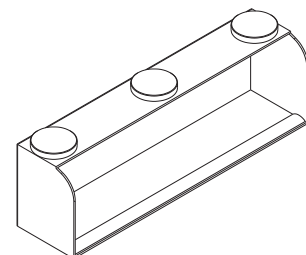
1 SET OF HOOK ROD



1 SET OF MAGNETIC PLATE

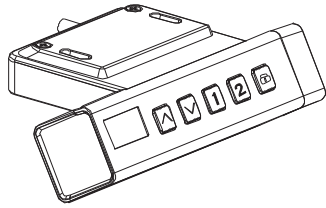


1 SET OF SLIDING ARM MECHANISM
1 PCE OF KNOB

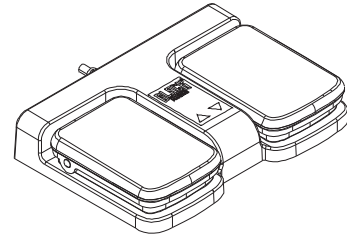


1 SET OF MAGNETIC DRAWER

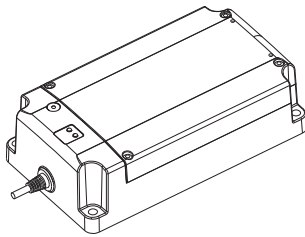
PACKING LIST



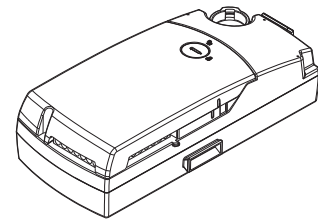
1 PCE OF MEMORY HAND REMOTE



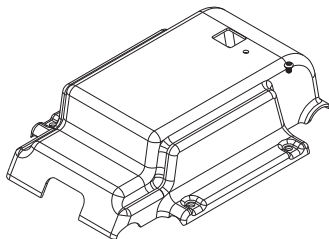
2 PCE OF FOOT REMOTES



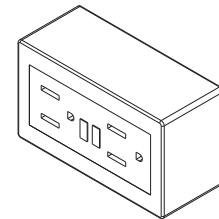
1 PCE OF BATTERY



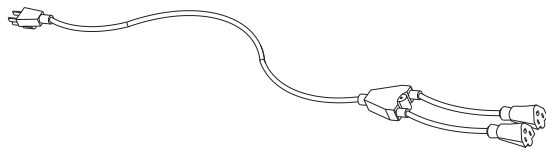
1 PCE OF TRANSFORMER



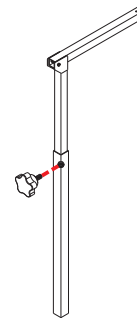
1 PCE OF BATTERY COVER



1 PCE OF PLUG



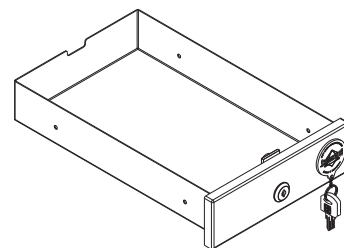
1 PCE OF EXTENSION CORD



**1 SET OF GROOMING ARM
1 PCE OF KNOB**



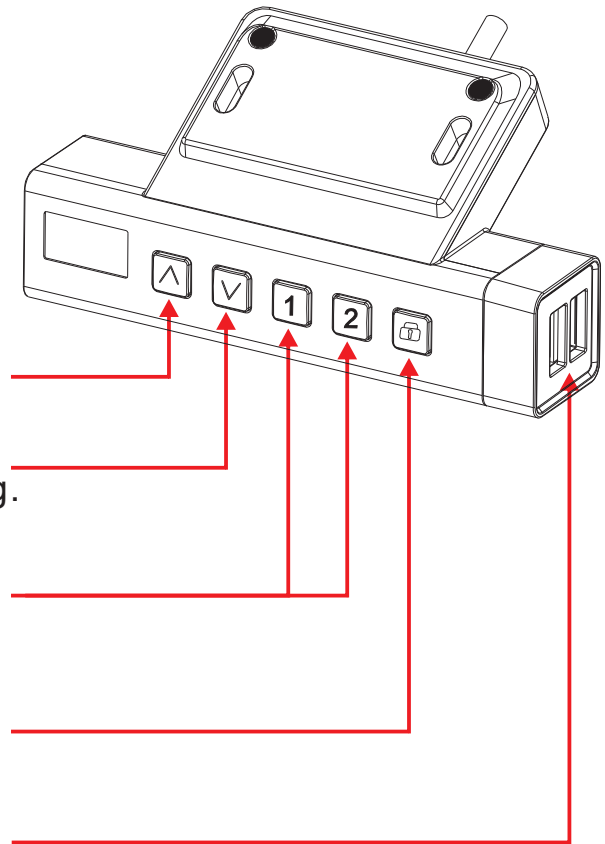
1 SET OF GROOMING LOOP





1 SET OF STORAGE BIN+KEYS

KEY INSTRUCTIONS AND OPERATION METHODS

1. Memory remote:



The button  can make the bed rise. Release the button to stop moving.

The button  can make the bed move down. Release the button to stop moving.

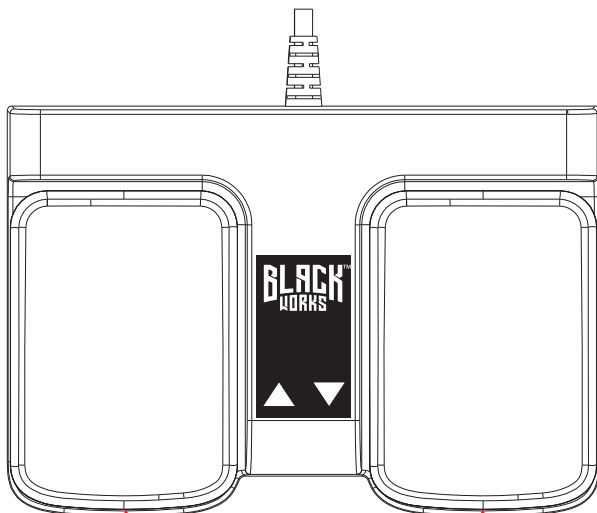
Press and hold the button for +3 secs to save the current table height.


Click once to move to preset position.


Press one time to lock all controls, The LCD screen will display 'L' for Lock. Press again to unlock.

USB port outputs 5 volts, use for charging.

2. Foot Pedal:

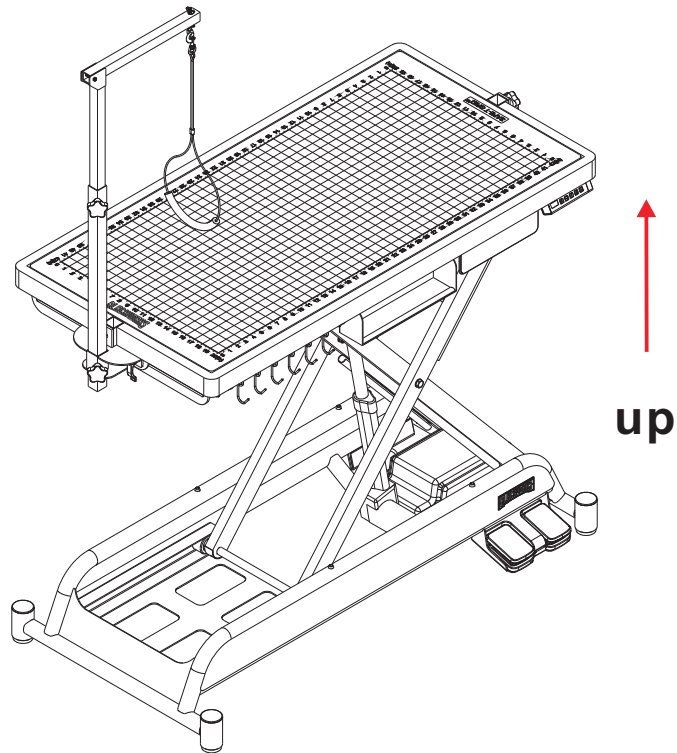


The button  can make the bed move down. Release the button to stop moving.

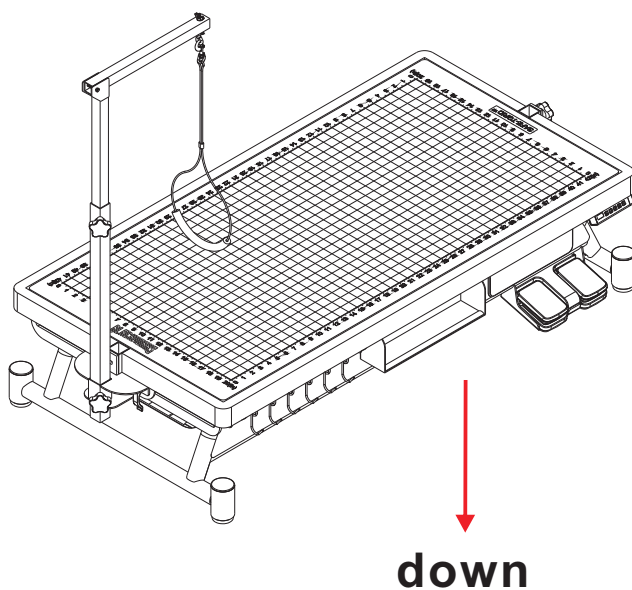
The button  can make the bed rise. Release the button to stop moving.

ELECTRIC BED FUNCTION

1. Press  to adjust the rise of the bed, as shown in the figure:



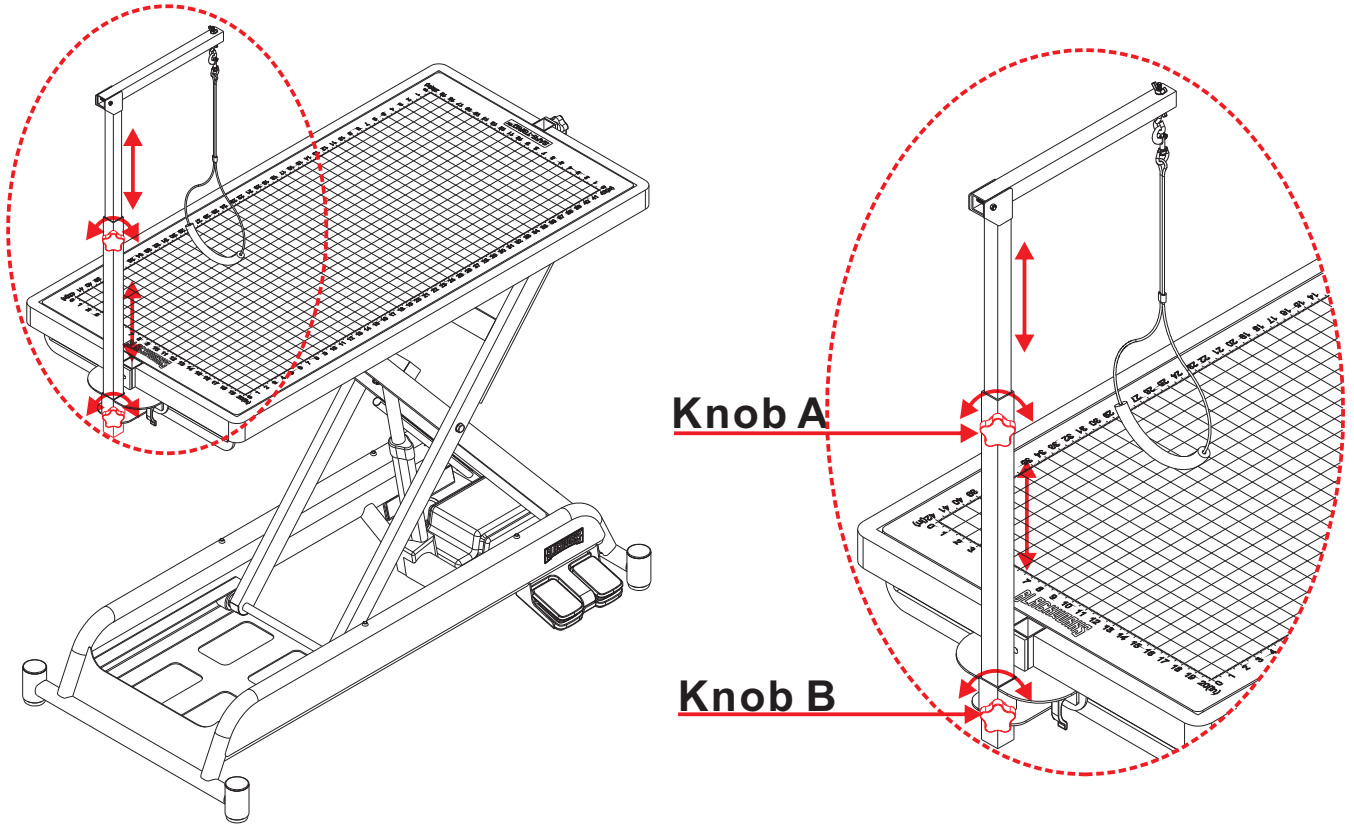
2. Press  to adjust the fall of the bed, as shown in the figure:



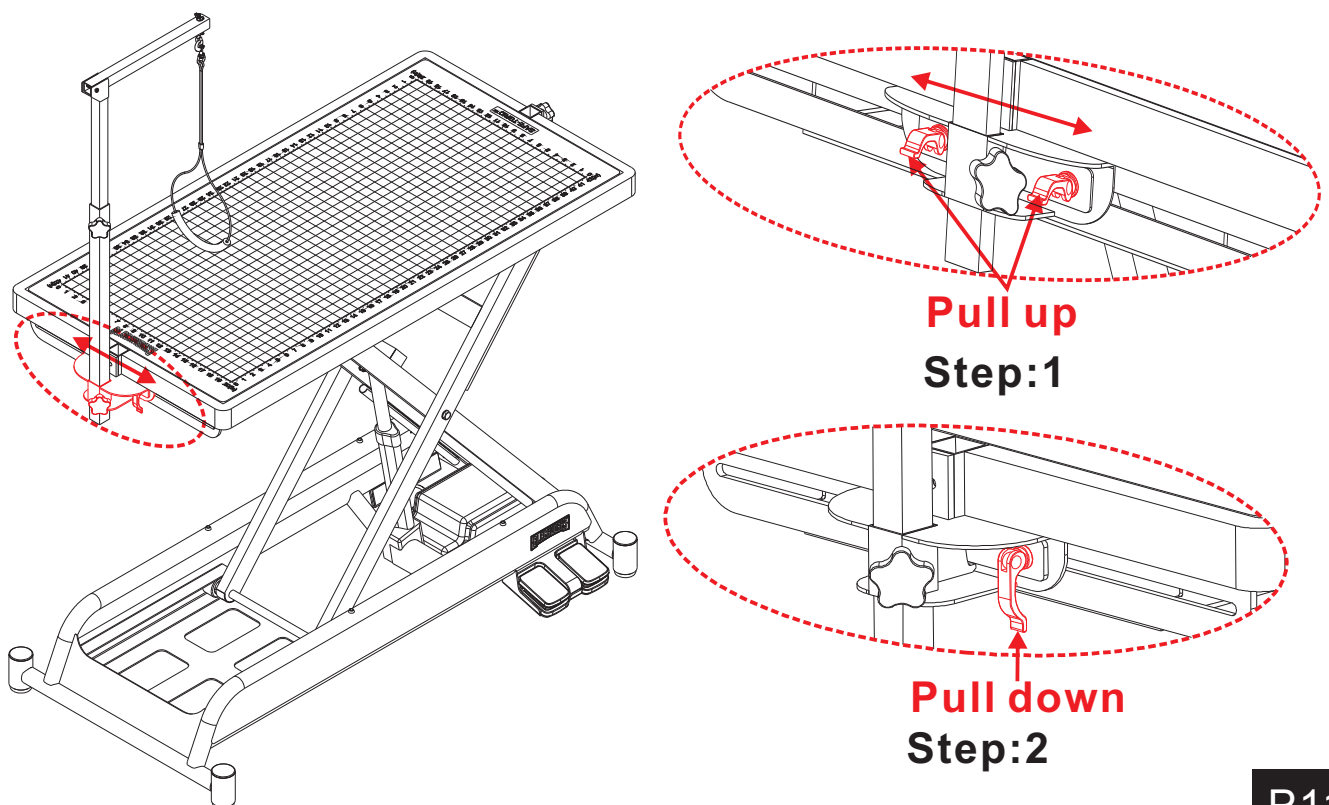
ELECTRIC BED FUNCTION

3. Adjustment of grooming arm:

3.1) As shown in the figure, adjust knob A/B to adjust the grooming arm to a proper height.



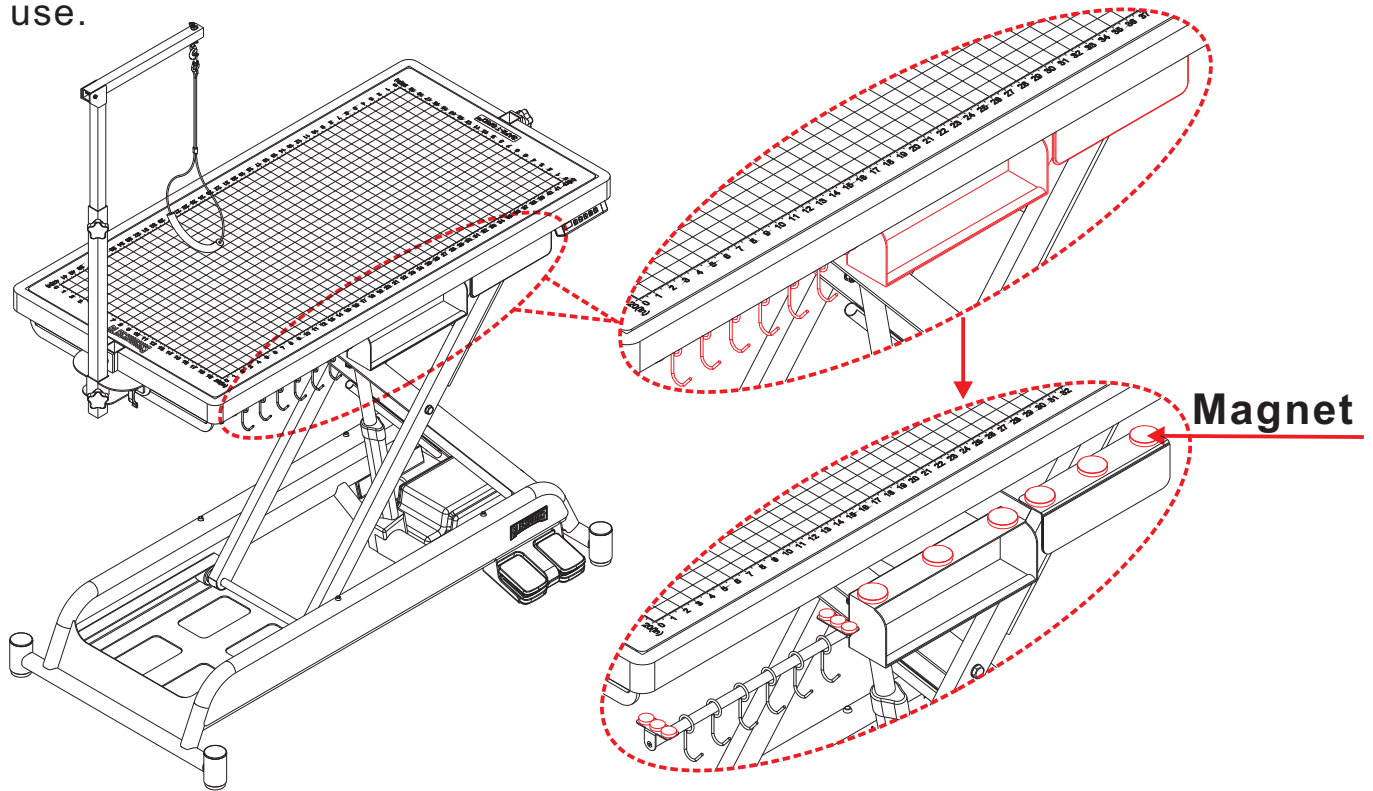
3.2) As shown in the figure, pull up two clamps, and the grooming arm can slide left and right to the required position, and then pull down and lock.



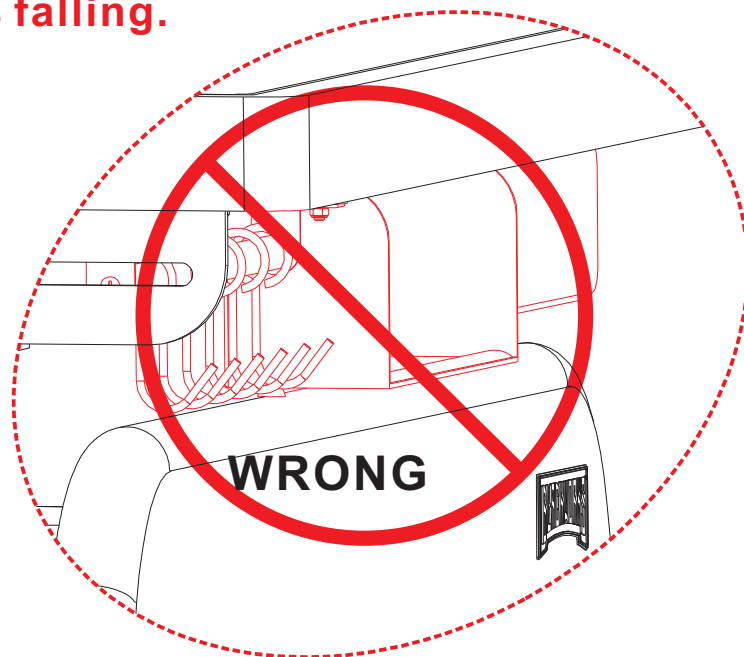
ACCESSORIES FUNCTION

Instructions and Precautions for the Hook Bar, Magnetic Panel, and Magnetic Drawer:

As shown in the figure, the tools can be magnetically attached to the bottom border on either long side of the table. It can be removed if not in use.

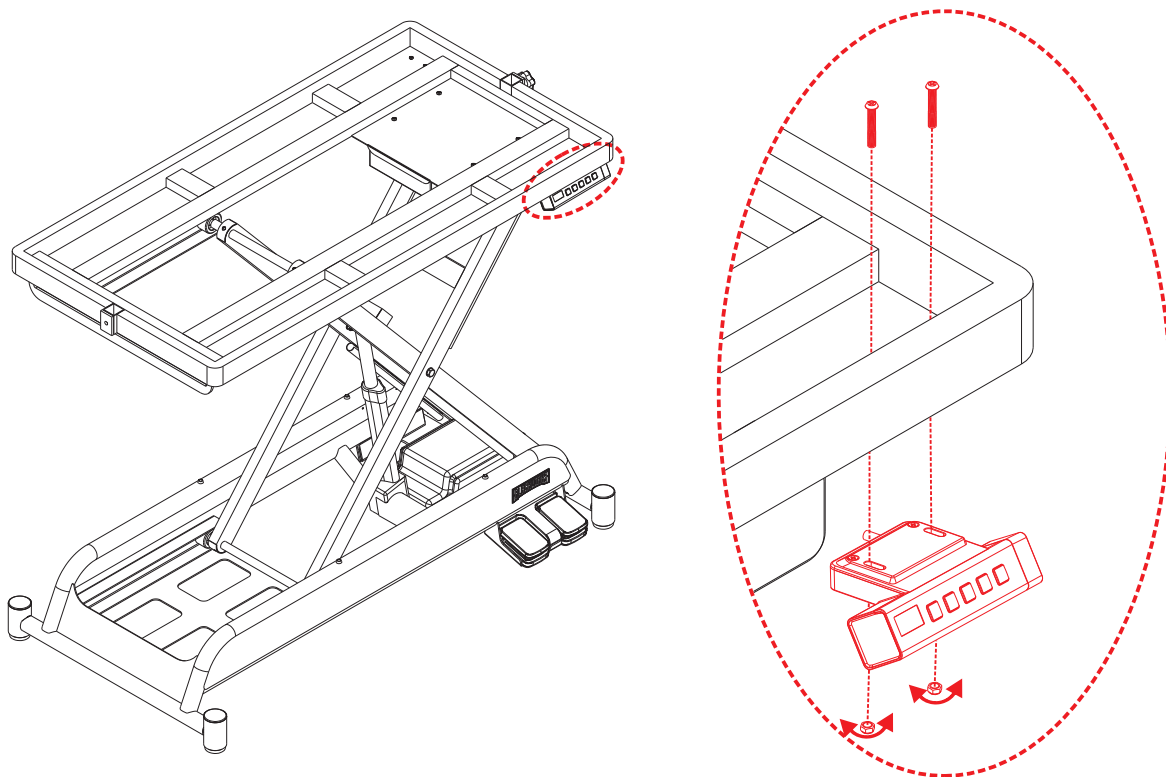


Warning: Accessories may contact the bottom frame if placed too close to the center of the table upon lowest height setting. It is recommended to position the accessories closest towards the edge of the table. Also, do not transport the table while hanging sharp tools on the magnetic panel and hook bar due to increased risk of tools falling.

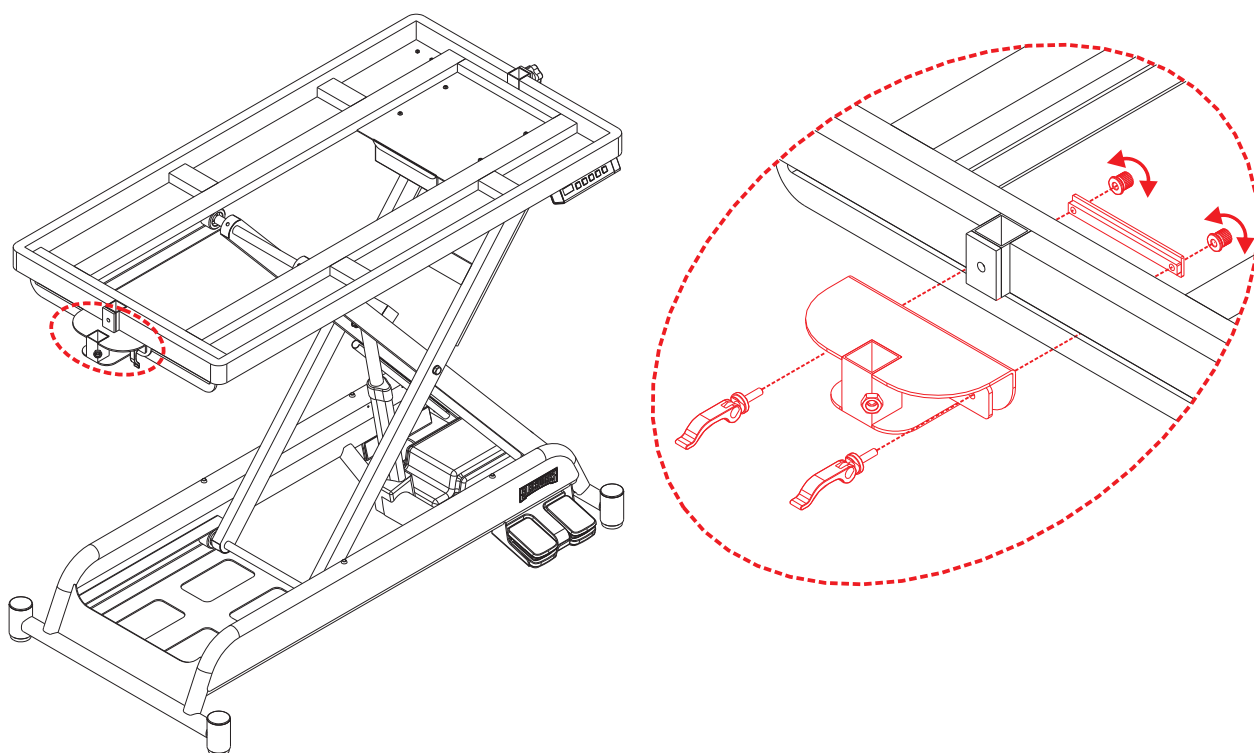


INSTALLATION INSTRUCTIONS FOR ACCESSORIES

1. Installation instructions of hand pedal with memory:

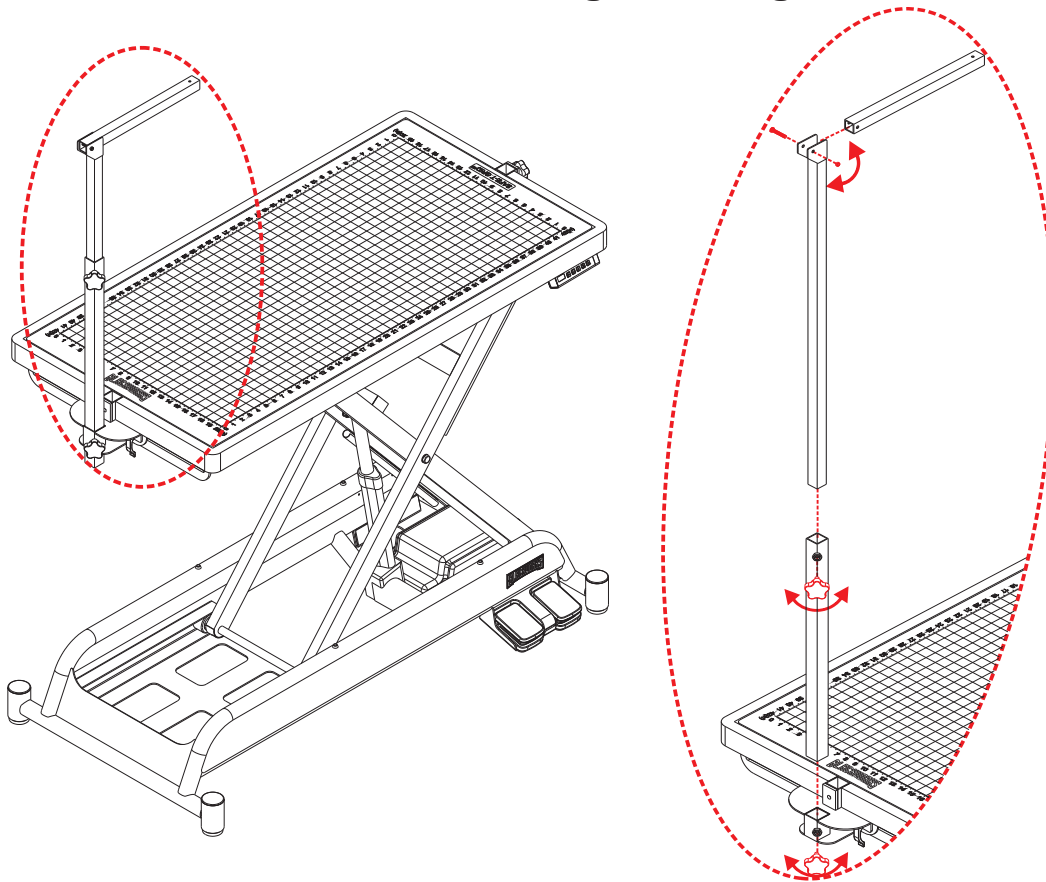


2. Installation instructions of sliding arm mechanism:

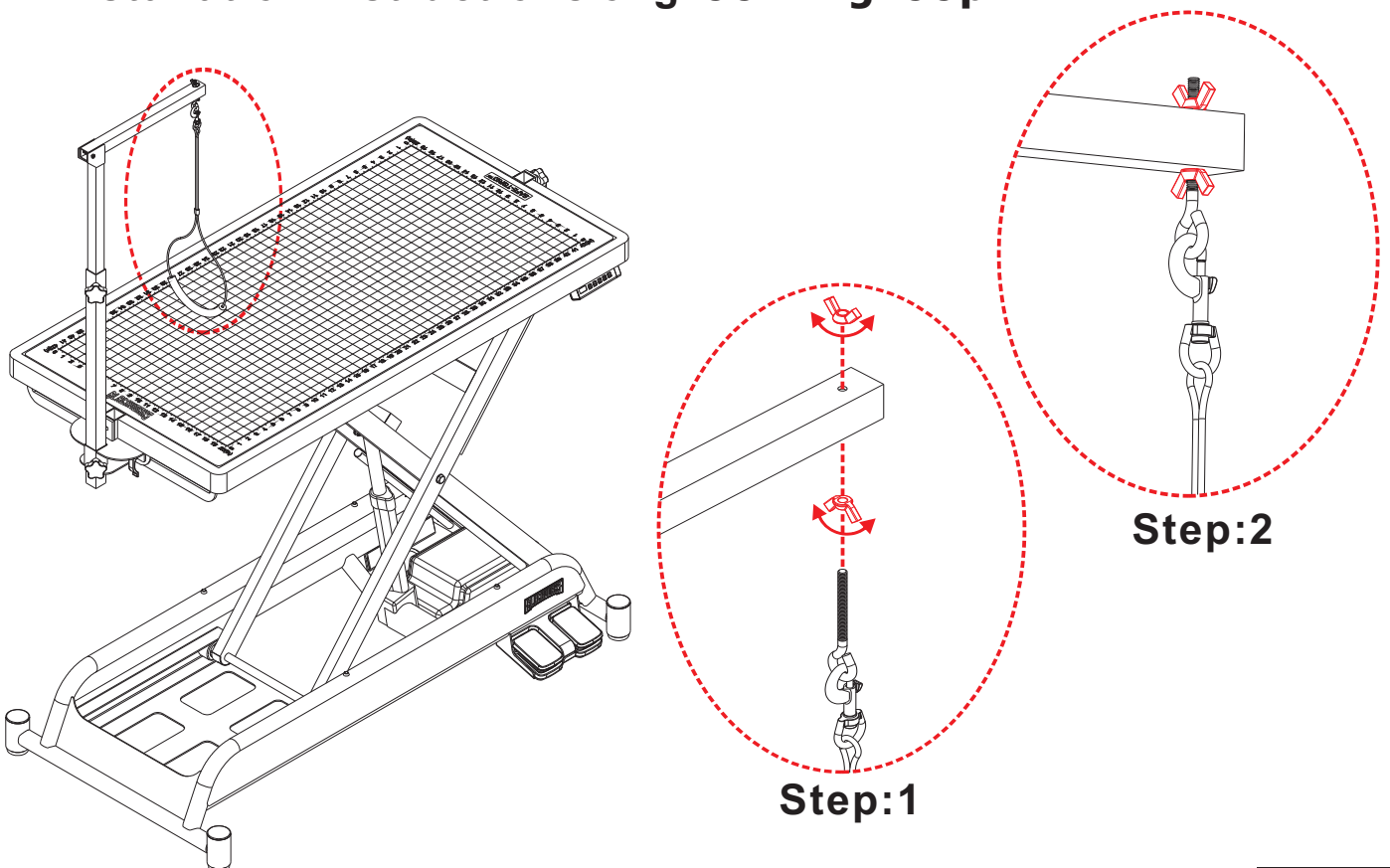


INSTALLATION INSTRUCTIONS FOR ACCESSORIES

3. Installation instructions of grooming arm:

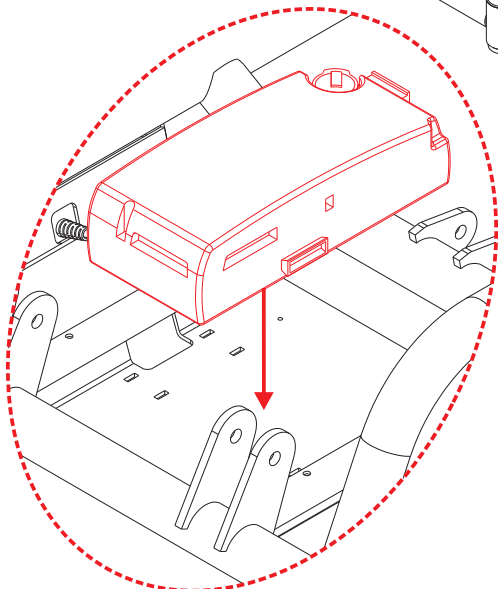
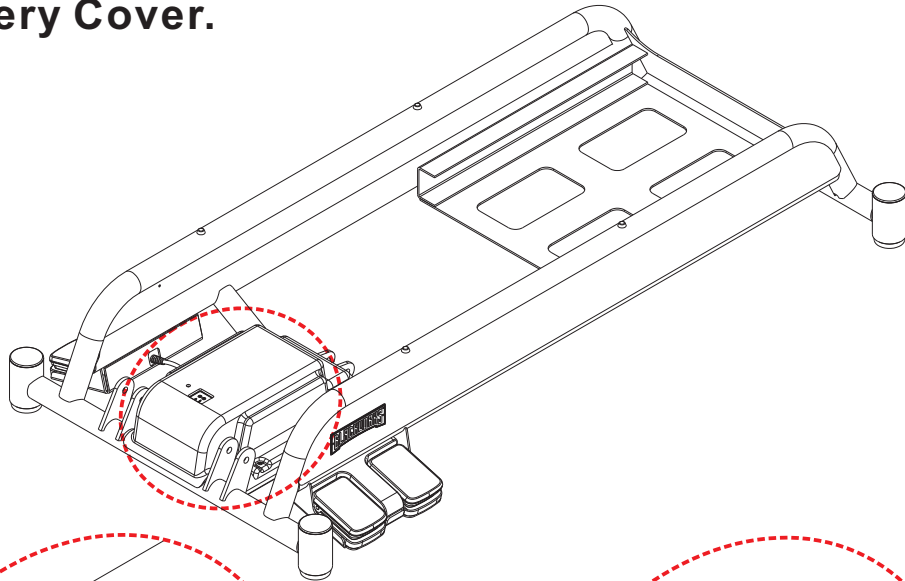


4. Installation instructions of grooming loop:

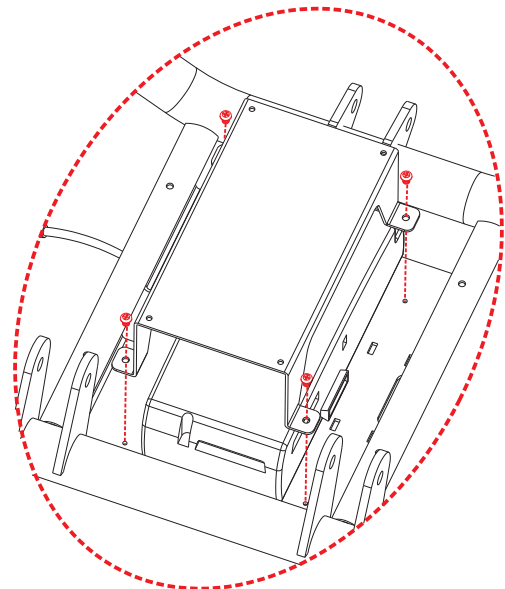


INSTALLATION INSTRUCTIONS FOR ACCESSORIES

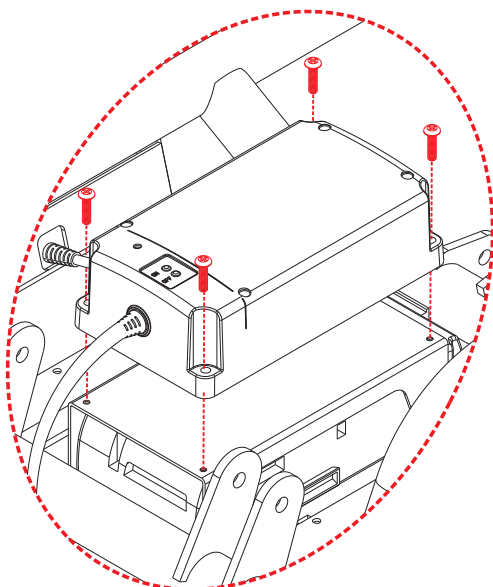
5. Installation Instructions for Transformer, Battery, and Battery Cover.



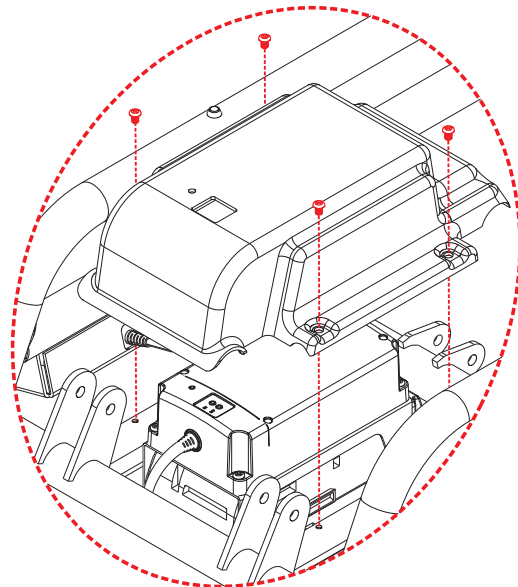
Step:1



Step:2



Step:3



Step:4

INSTRUCTIONS FOR BATTERY USE

As shown in the figure, press ON to turn on the power supply, and press OFF to turn off the power supply, and the bed will stop working.

Note: For best performance, it is recommended to fully charge the battery prior to use.

