



PARTS LIST

USE ONLY GENUINE OSTER PARTS
 USE OF WRONG PARTS MAY BE HAZARDOUS. REVISED 11/15 cs

NEW MODELS ADDED	FIRST ISSUE:	12/10	COLUMN #:	1	2	3	4	5	6	7	8	9	10	11	12	
UK MODEL															X	
BRAZIL MODEL									X							
KOREAN MODEL								X								
ARGENTINA MODEL						X										
CHILE MODEL										X						
EU/LATIN AMERICAN MODEL					X											
AUSTRALIA MODEL								X								
DOMESTIC MODEL				X	X							X				
MODEL OR SERVICE NO. COLUMN					1	2	3	4	5	6	7	8	9	10	11	12

INSTRUCTIONS	COL. NO.
151011-000-000	1,2,4-10
157881-000-000	3

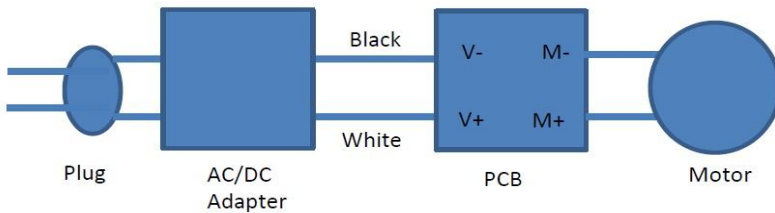

INDEX NO.	PART NUMBER	WAS PART NO.	DESCRIPTION	Basic Parts	QUANTITY REQUIRED											
					078006 (BLUE)	078006 (PALE BLUE)	078006-000-051	078006-000-054	078006-000-070	078006-000-071	078006-000-087	078006-000-151	078006-000-302	078006-000-600		
1A*	163300-000-000	153678-000-001	UPR HSG ASY, BLU W/BLK CRM-INTL*				1	1	1	1	1	1	1	1	1	
1B*	163293-000-000	153678-000-000	UPR HSG ASY, P-BLUE W/BLK CRM*		1	1										
2	153655-105-000		LOWER HSG BLK OVERMOLD	1												
3	153650-000-003		BADGE ASY, BLK CHROME	R												
4	153264-000-000		BADGE SCREWS 5MM	2												
5	153660-001-000		MOTOR ASY, INCLUDES #7,#8,#10 & #12	1												
6	163299-000-000		REPLACEMENT BRUSH KIT	R												
7	153667-000-000		DRIVE LEVER CLIP	R												
8	153674-100-000		DRIVE ARM	R												
9	153676-000-000		BALE	1												
10	044941-000-000		MOUNTING PLATE ASY, BEAUTY	R												
11	044938-000-000		LATCH	1												
12	041664-000-000		SCREW	2												
13	153668-000-000		CORD ASSEMBLY	1												
14	159499-000-000		PLUG PIG TAIL, DOMESTIC		1	1								1		
14	159501-000-000		PLUG PIG TAIL, EU/LATAM				1									
14	170060-000-000		PLUG PIG TAIL, CHILE										1			
14	159503-000-000		PLUG PIG TAIL, ARG				1									
14	159502-000-000		PLUG PIG TAIL, AUSTRALIA					1								
14	159504-000-000		PLUG PIG TAIL, KOREA						1							
14	159505-000-000		PLUG PIG TAIL, BRAZIL							1						
14	159500-000-000		PLUG PIG TAIL, UK												1	
17	153658-002-000		SEAL TOP	1												
18	153658-001-000		SEAL SIDE	2												
20	159822-000-000		SCREW #5 HI-LO	4												
21	163465-000-000	153669-200-000	PCB HI SPD, INTL W	1												
22	084026-606-000		SCREW #4-24	1												
23	153677-000-000		DATA LABEL		1	1										
23	153677-000-051		DATA LABEL-EU				1									
23	153677-000-070		DATA LABEL-AUSTRALIA					1								
23	153677-000-071		DATA LABEL-KOREA						1							
23	153677-000-151		DATA LABEL- CHILE									1				
23	153677-000-302		DATA LABEL - LATAM										1			
23	153677-000-600		DATA LABEL - UK											1		
26	163302-000-000		DATA LABEL BRK ARG				1									
26	163303-000-000		DATA LABEL BRK BRAZIL							1						
27	100554-054-000		LABEL- WARNING, CORD				1									

* INCLUDES ITEM #3 & #19.
 R- INDICATES CAN BE REPLACED SEPARATELY

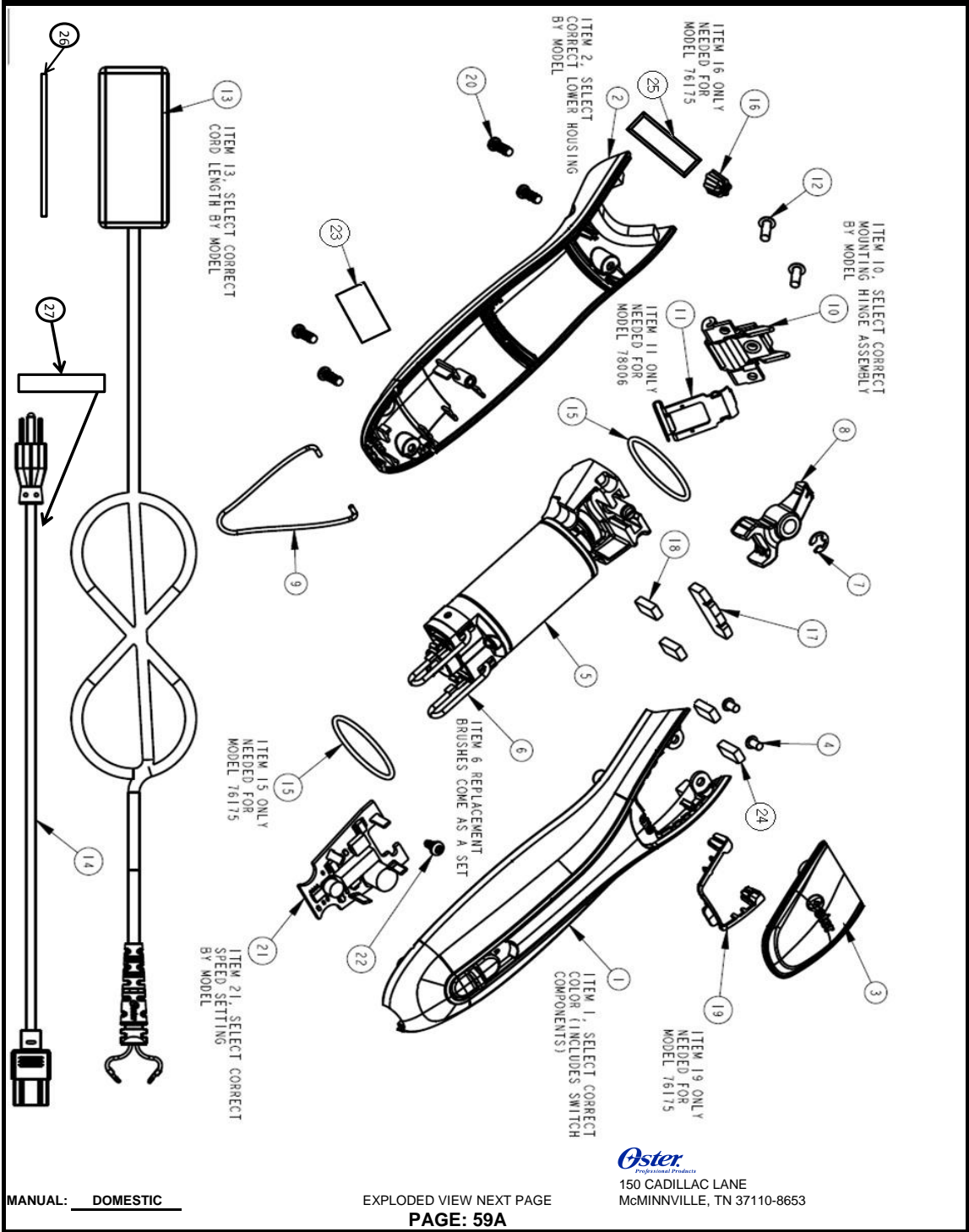
MANUAL: PROFESSIONAL PRODUCTS _____
 SECTION: CLIPPERS

CONTINUED ON REVERSE SIDE
 PAGE: 57A

Oster
 Professional Products
 150 CADILLAC LANE
 McMINNVILLE, TN 37110

INDEX NO.	PART NUMBER	WAS PART NO.	DESCRIPTION	Basic Parts	078006 (BLUE)	078006 (PALE BLUE)	078006-000-051	078006-000-054	078006-000-070	078006-000-071	078006-000-087	078006-000-151	078006-000-302	078006-000-600
<div style="text-align: center;">  <p>Diagram illustrating the exploded view of the power supply and motor assembly. The components are connected as follows:</p> <ul style="list-style-type: none"> Plug (two wires) connects to AC/DC Adapter. AC/DC Adapter (Black wire) connects to PCB (V-). AC/DC Adapter (White wire) connects to PCB (V+). PCB (M-) connects to Motor. PCB (M+) connects to Motor. </div>														
MANUAL: <u>DOMESTIC</u>				EXPLODED VIEW NEXT PAGE				 150 CADILLAC LANE McMINNVILLE, TN 37110-8653						
PAGE: 58A														

INDEX NO.	PART NUMBER	WAS PART NO.	DESCRIPTION
			Basic Parts
			009-000-900820
			206-000-900820
			151-000-900820
			280-000-900820
			170-000-900820
			070-000-900820
			950-000-900820
			150-000-900820
			171B 171A (PAL) 900820
			(A) 171B 900820



Oster
Professional Products
150 CADILLAC LANE
McMINNVILLE, TN 37110-8653