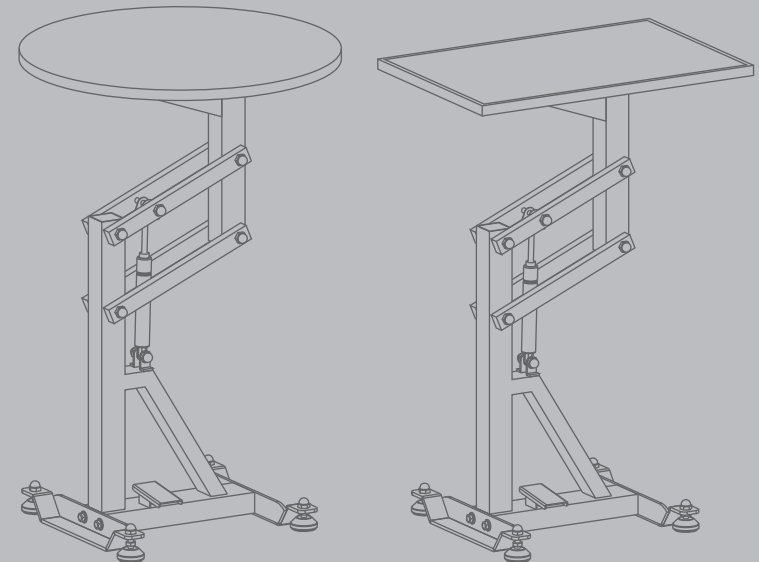




# Paw Brothers Air Lift Grooming Table

PBP70001 / PBP70002

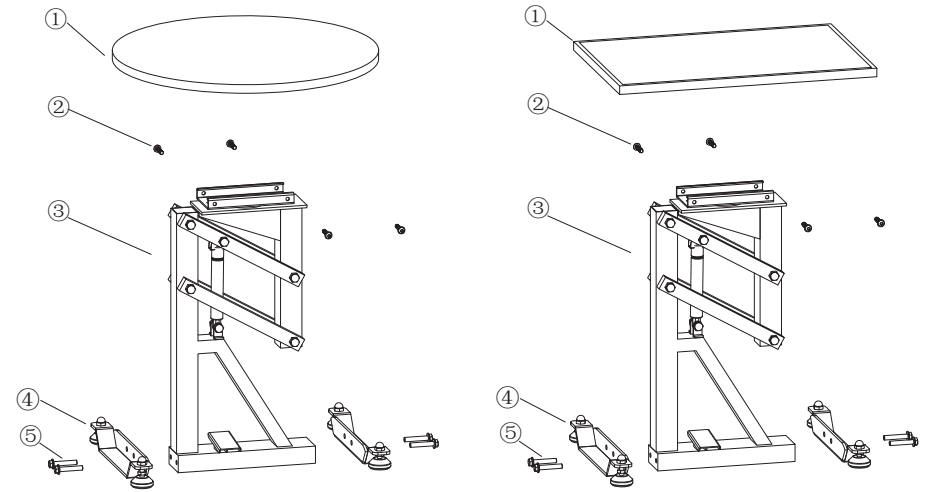
*New  
Generation*



User Manual

**Ryan's Pet Supplies**  
1-800-525-7387  
1805 East McDowell Rd  
Phoenix AZ 85006

# Parts List



**Thank you for purchasing our product!**

Paw Brothers Air Lift Grooming Tables (PBP70001 / PBP70002) are a highly cost-effective grooming table. It has a rotating and pneumatic lifting tabletop. PBP70001 has a round tabletop and PBP70002 has a rectangular tabletop.

Parts List			
Item	Name	Specifications	Quantity
1	Round Table Top (PBP70004)	27.5 in Diameter	1
	Rectangular Table Top (PBP70005)	30 x 19 inches	
2	Allen Bolt		4
3	Pneumatic Lifting Base	12.6 × 25.1/16.5 × 25	1
4	Table Foot (with adjustable levelers)	15.7 × 1.6/17.7 × 1.6	2
5	Allen Bolt		4
6	Allen Wrench		1
7	Allen Wrench		1
8	Grooming Arm (PBP70003)	Aluminum	1
9	Grooming Arm Mount	Aluminum	1
10	Instruction Manual		1

# Overview

# Specifications



1. Foldable Grooming Arm (PBP70003)
2. Grooming Arm Mount (Aluminum Clamp)
3. Tabletop
4. Locking Bolt
5. Pneumatic Lifting Base
6. Foot Pedal
7. Table Foot (with adjustable levelers)

	Model	PBP70001
	Diameter	27.5 in Diameter
	Height	26.8 - 38.6 in
	Net Weight	47.3 lbs
	Gross Weight	51.8 lbs

	Model	PBP70002
	Length/ Width	23.6 x 17.7 in
	Height	26.8 - 38.6 in
	Net Weight	38.6 lbs
	Gross Weight	43 lbs

# Safety Warnings

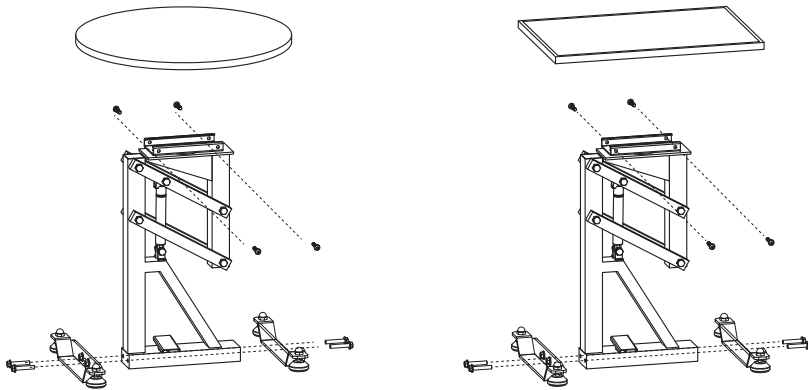
1. Use only as described in this manual. Use only manufacturer's recommended attachments.

2. DO NOT place the product on uneven or soft ground.
3. This product is not intended for use by persons (including children) with reduced physical or sensory capabilities, or lack of experience and knowledge, unless they have been given supervision or instruction concerning use of the product by a person responsible for their safety.

**Children should be supervised to ensure that they do not play with the product.**

4. DO NOT modify, disassemble or repair, without the guidance of professionals.
5. Do not put your pet on the table before adjusting the height.

## Assembly Instructions



1. Connect the Table Feet to the Pneumatic Lifting Base  
Use the Open Wrench to connect the Table Feet to the Pneumatic Lifting Base with the Outside Hex Bolts.  
Caution: The four screw holes are near the Foot Pedal.
2. Install the Tabletop to the other end of the Pneumatic Lifting Base  
Use the Allen Wrench to fix the Tabletop to the Pneumatic Lifting Base with the Inside Hex Bolts.
3. Adjust the levelers  
Check if four levelers are horizontal. If not, release the nut above the leveler and rotate the leveler to adjust the height of the leveler to ensure a stable and steady table.
4. Install grooming arm  
Use the clamp to fix the grooming arm mount at any place needed on tabletop. Insert the grooming arm in the hole of the mount and tighten the knob.

## Operation Instructions

1. Adjust the height as you need. Step on the Foot Pedal and the table will rise automatically. Step on the Foot Pedal and press the Table Top to lower the table.
2. If you need a rotating tabletop, release the Locking Bolt. If you want a fixed tabletop, tighten the Locking Bolt.
3. Put your pet on the table top, secure with grooming loop.

**Caution: Adjust the height of the table before placing pet on top of table.**

## Maintenance

In between usages, the table should be cleaned with a soft cloth or sponge using a mild cleaning agent.

## Service Support

Contact us if you cannot solve your problem with this manual.

**Ryan's Pet Supplies**  
1-800-525-7387  
1805 E McDowell Rd  
Phoenix, AZ 85006